

MCR-SL-S-100-U

Order No.: 2813457



<http://eshop.phoenixcontact.de/phoenix/treeViewClick.do?UID=2813457>

MCR current measuring transducer, for measuring sinusoidal and non-sinusoidal alternating currents, input current 0...100 A, output voltage 0...(5) 10 V

Commercial data	
GTIN (EAN)	4046356043632
sales group	H531
Pack	1 pcs.
Customs tariff	85437090
Weight/Piece	0.1375 KG
Catalog page information	Page 394 (IF-2009)

Product notes

WEEE/RoHS-compliant since:
06/04/2007



<http://www.download.phoenixcontact.com>
Please note that the data given here has been taken from the online catalog. For comprehensive information and data, please refer to the user documentation. The General Terms and Conditions of Use apply to Internet downloads.

Technical data

Input data

Input	Current measuring input
Input current range	0 A ... 100 A (0...50/75/100 A)
Operate threshold	1% (of end value)
Setting range for min. input current	0 A ... 50 A

Setting range for max. input current	0 A ... 100 A
Overload capacity	Depending on laid conductor
Frequency measuring range	30 Hz ... 6000 Hz
Type of connection	Clamp-on cable design, diameter 18.5 mm

Output data

Output name	Voltage output
Voltage output signal	0 V ... 10 V 0 V ... 5 V
Max. output voltage	((0 V ... 10 V) 14 V, (0 V ... 5 V) 7 V)
Load/output load voltage output	$\geq 10 \text{ k}\Omega$

Power supply

Range of supply voltages	20 V DC ... 30 V DC
Max. current consumption	< 30 mA

Connection data

Type of connection	Pluggable screw connection
Conductor cross section solid min.	0.2 mm ²
Conductor cross section solid max.	2.5 mm ²
Conductor cross section stranded min.	0.2 mm ²
Conductor cross section stranded max.	2.5 mm ²
Conductor cross section AWG/kcmil min.	24
Conductor cross section AWG/kcmil max	14
Stripping length	8 mm
Screw thread	M3

General data

Width	55 mm
Height	85 mm
Depth	67 mm
Transmission error, max.	< 1 % (of end value)
Maximum temperature coefficient	< 0.035 %/K
Step response (10-90%)	< 340 ms
Ambient temperature (operation)	-20 °C ... 60 °C
Degree of protection	IP20
Pollution degree	2

Surge voltage category	III
Color	green
Housing material	Polyamide PA non-reinforced
Mounting position	Any
Conformity	CE compliant
UL, USA / Canada	cULus

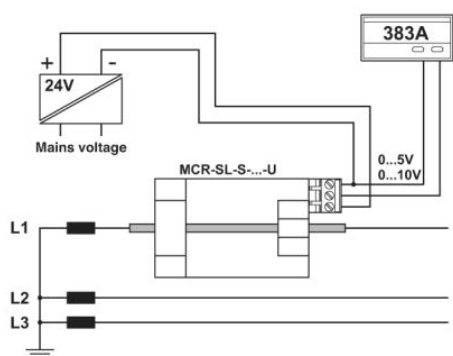
Certificates / Approvals



Certification: CUL Listed, UL Listed
 Certification Ex: CUL-EX LIS, UL-EX LIS

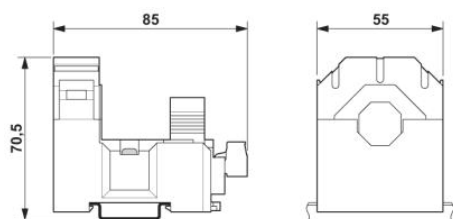
Diagrams/Drawings

Application drawing

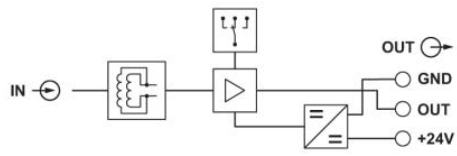


Current measurement

Dimensioned drawing



Circuit diagram



Address

Phoenix Contact Pty. Ltd.
130-140 Parraweena Road
Miranda NSW 2228, AUS-Taren Point 2229 ,Australia
Phone +61/2/9524-4455
Fax +61/2/9525-2888
<http://www.phoenixcontact.com.au>



© 2010 Phoenix Contact
Technical modifications reserved;