

## NEF 1-10

Order No.: 2788977

<http://eshop.phoenixcontact.de/phoenix/treeViewClick.do?UID=2788977>

Mains interference filter, with universal foot for mounting on NS 32 and NS 35/7.5, nominal current: 10 A

### Commercial data

EAN	4017918072001
Pack	5 pcs.
Customs tariff	85363010
Weight/Piece	0.18434 KG
Catalog page information	Page 54 (TT-2009)

### Product notes

WEEE/RoHS-compliant since:  
06/18/2006



<http://www.download.phoenixcontact.com>  
Please note that the data given here has been taken from the online catalog. For comprehensive information and data, please refer to the user documentation. The General Terms and Conditions of Use apply to Internet downloads.

### Technical data

#### Standards

Housing material	PA
Inflammability class acc. to UL 94	V2
Color	black

Standards for air and creepage distances	IEC 60664-1: 1992-10
	VDE 0110-1
Degree of protection	IP20
Design	Rail-mountable module, one-piece
Mounting type	DIN rail/G-profile rail
Ambient temperature (operation)	-25 °C ... 100 °C (HMF)
Direction of action	1L-N & N-PE
Width	38.30 mm
Height	85.50 mm
Length	79.40 mm

**Protective circuit**

Nominal voltage $U_N$	240 V AC
Max. operating voltage $U_{max}$	264 V AC
Arrester rated voltage $U_C$ (L-N)	264 V AC
Arrester rated voltage $U_C$ (L-PE)	264 V AC
Nominal frequency $f_N$	50 Hz
	60 Hz
Nominal current $I_N$	10 A ( $\leq 40^\circ\text{C}$ )
Operating effective current $I_C$ at $U_C$	$\leq 0.25$ mA
Discharge current to PE at $U_C$	$\leq 0.5$ mA
Inductivity in series	2x 1.8 mH (in acc. with VDE 0565-2 with current compensation)
Capacity (L-N)	2x 470 nF (X2)
Capacity (L-PE)	2x 2.2 nF (Y2)
Max. required back-up fuse	10 A (gL)
Input attenuation aE, sym.	> 80 dB (50 $\Omega$ / 1 MHz)
Input attenuation aE, asym.	> 40 dB (50 $\Omega$ / 1 MHz)

**Non-heating apparatus connection, power supply**

Type of connection	Screw connection
Connection type IN	Screw terminal blocks
Connection type OUT	Screw terminal blocks
Screw thread	M3
Tightening torque, min	0.8 Nm
Stripping length	8 mm
Conductor cross section stranded min.	0.2 mm <sup>2</sup>

Conductor cross section stranded max.	2.5 mm <sup>2</sup>
Conductor cross section solid min.	0.2 mm <sup>2</sup>
Conductor cross section solid max.	4 mm <sup>2</sup>
Conductor cross section AWG/kcmil min.	24
Conductor cross section AWG/kcmil max	12

**Connection, protective circuit**

Standards/regulations	IEC 60939-2
	DIN EN 60939-2

**Protective circuit, filter**

Discharge resistor	1 MΩ
--------------------	------

**Certificates / Approvals**



Certification

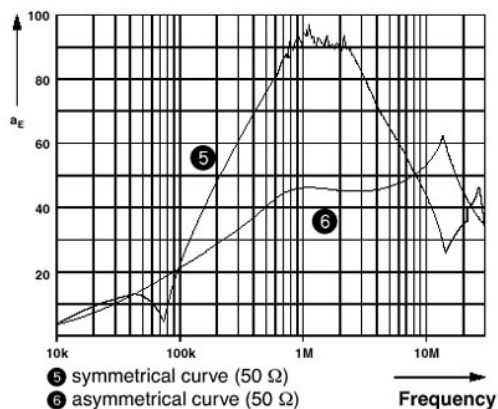
GOST, UL, VDE-PZI

**VDE**

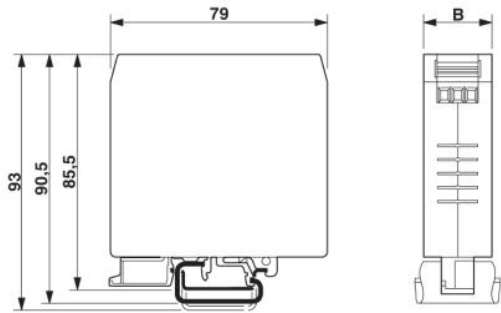
Nominal voltage $U_N$	250 V
Nominal current $I_N$	10 A

**Diagrams/Drawings**

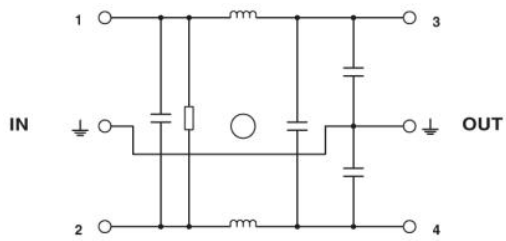
Diagram



Dimensioned drawing



Circuit diagram



**Address**

PHOENIX CONTACT Inc., USA  
586 Fulling Mill Road  
Middletown, PA 17057, USA  
Phone (800) 888-7388  
Fax (717) 944-1625  
<http://www.phoenixcon.com>



© 2010 Phoenix Contact  
Technical modifications reserved;