

# PSI-MOS-PROFIB/FO1300 T

Order No.: 2708892



<http://eshop.phoenixcontact.de/phoenix/treeViewClick.do?UID=2708892>

Fiber optic converter with integrated optical diagnostics, alarm contact, for PROFIBUS up to 12 Mbps, T-coupler with two fiber optic interfaces (SC-Duplex), 1300 nm, for glass fiber cable



Commercial data	
EAN	4046356174053
Pack	1 pcs.
Customs tariff	85176200
Weight/Piece	0.2501 KG
Catalog page information	Page 505 (IF-2009)

#### Product notes

WEEE/RoHS-compliant since:  
10/01/2007



<http://www.download.phoenixcontact.com>  
Please note that the data given here has been taken from the online catalog. For comprehensive information and data, please refer to the user documentation. The General Terms and Conditions of Use apply to Internet downloads.

Technical data	
<b>Serial interface</b>	
Interface 1	PROFIBUS acc. to IEC 61158, RS-485 2-wire, half-duplex, automatic control
Operating mode	Semi-duplex
File format/coding	UART (11 Bit, NRZ)

Data direction switching	Automatic control
Data rate	9,6/19,2/45,45/93,75/187,5/500/1500/3000/6000/12000 kBit/s, automatische Erkennung, optional Einstellung über DIP-Schalter
Transmission length	max. 1200 m (With shielded, twisted-pair data line depending on the data rate )
Type of connection	D-SUB-9 female connector
Serial transmission rate	9.6/19.2/45.45/93.75/187.5/500/1500/3000/6000/12000 kbps, automatic detection, optional setting using a DIP switch

#### Optical interface FO

Wave length	1300 nm
Transmission length incl. 3 dB system reserve	25 km (With F-G 50/125 0.7 dB/km at 1300 nm) 45 km (With F-E 9/125 0,4 dB/km at 1300 nm)
Transmission protocol	Protocol-transparent to the RS-485 interface
Type of connection	SC duplex

#### Fault warning output

Maximum switching voltage	60 V DC 42 V AC
Limiting continuous current	1 A

#### Power supply

Nominal supply voltage	24 V DC ± 25%
Range of supply voltages	18 V DC ... 32 V DC
Typical current consumption	110 mA
Type of connection	Pluggable COMBICON screw terminal block

#### General data

Bit distortion, input	± 35 % (permitted)
Bit distortion output	< 6.25 %
Width	35 mm
Height	105 mm
Depth	99 mm
Ambient temperature (storage/transport)	-40 °C ... 85 °C
Ambient temperature (operation)	-20 °C ... 60 °C
Electrical isolation	RS-485 // supply
Electromagnetic compatibility	Conformance with EMC directive 89/336/EEC
Emitted interference	EN 55011

Immunity to interference	EN 61000-6-2:2005
Degree of protection	IP20
Housing material	PA V0, color green
Color	green
ATEX	Ex II 3 G Ex nAC IIC T4 X
UL, USA / Canada	cUL 508 Recognized

**Certificates / Approvals**

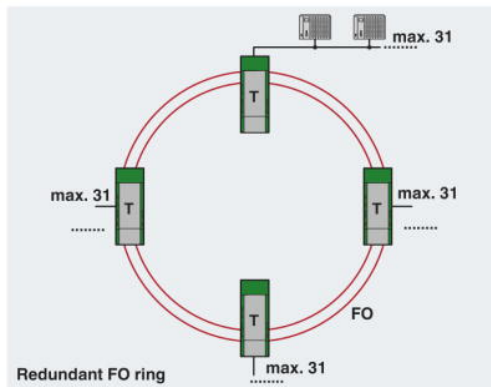
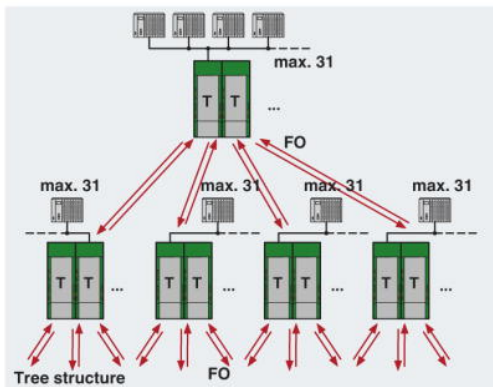
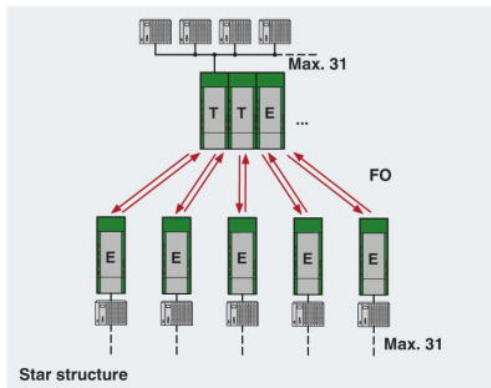
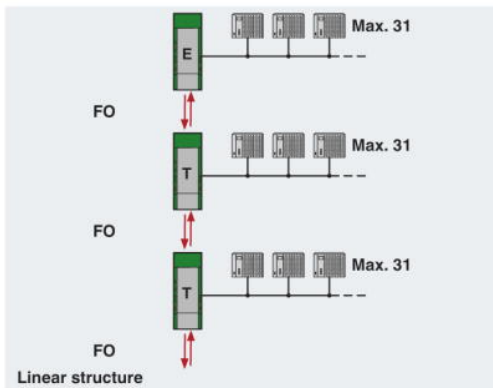


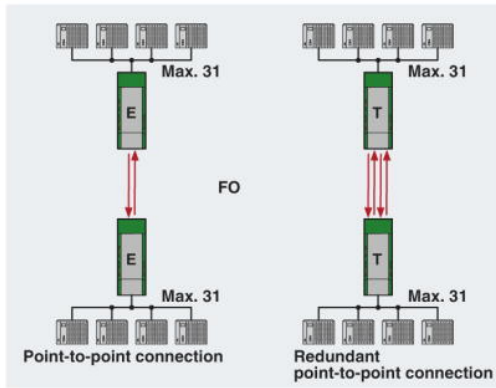
Certification

CUL, UL

**Diagrams/Drawings**

Application drawing





Approbationslogos (EX-Bereich)

---



**Address**

PHOENIX CONTACT Inc., USA  
586 Fulling Mill Road  
Middletown, PA 17057, USA  
Phone (800) 888-7388  
Fax (717) 944-1625  
<http://www.phoenixcon.com>



© 2010 Phoenix Contact  
Technical modifications reserved;