

PSI-MOS-RS485W2/FO1300 E

Order No.: 2708562



<http://eshop.phoenixcontact.de/phoenix/treeViewClick.do?UID=2708562>

FO converter with integrated optical diagnostics, alarm contact, for RS-485 2-wire bus systems (SUCONET K, MODBUS ...) up to 500 kbps, NRZ coding, termination device with an FO interface (SC-Duplex), 1300 nm, for glass fiber cable



Commercial data	
EAN	4046356176279
Pack	1 pcs.
Customs tariff	85176200
Weight/Piece	0.2301 KG
Catalog page information	Page 507 (IF-2009)

Product notes

WEEE/RoHS-compliant since: 10/12/2007



<http://www.download.phoenixcontact.com>
Please note that the data given here has been taken from the online catalog. For comprehensive information and data, please refer to the user documentation. The General Terms and Conditions of Use apply to Internet downloads.

Technical data

Serial interface	
Interface 1	RS-485 interface, 2-wire
Operating mode	Semi-duplex
File format/coding	UART (11/10 bit switchable; NRZ), slip-tolerant

Data direction switching	Automatic control
Data rate	4,8/ 9,6/ 19,2/ 38,4/ 57,6/ 75/ 93,75/ 115,2/ 136/ 187,5/ 375/ 500
Termination resistor	220 Ω can be connected; pull up/down 390 Ω
Transmission length	max. 1200 m (depending on the data rate, with shielded, twisted data cable)
Type of connection	Pluggable screw connection
Serial transmission rate	4,8/ 9,6/ 19,2/ 38,4/ 57,6/ 75/ 93,75/ 115,2/ 136/ 187,5/ 375/ 500

Optical interface FO

Wave length	1300 nm
Transmission length incl. 3 dB system reserve	25 km (With F-G 50/125 0.7 dB/km at 1300 nm) 45 km (With F-E 9/125 0,4 dB/km at 1300 nm)
Transmission protocol	Protocol-transparent to the RS-485 interface
Type of connection	SC duplex

Fault warning output

Maximum switching voltage	60 V DC 42 V AC
Limiting continuous current	1 A

Power supply

Nominal supply voltage	24 V DC ± 25%
Range of supply voltages	18 V DC ... 32 V DC
Typical current consumption	110 mA
Type of connection	Pluggable COMBICON screw terminal block

General data

Bit distortion, input	± 35 % (permitted)
Bit distortion output	< 6.25 %
Width	35 mm
Height	105 mm
Depth	99 mm
Ambient temperature (storage/transport)	-40 °C ... 85 °C
Ambient temperature (operation)	-20 °C ... 60 °C
Electrical isolation	RS-485 // supply
Electromagnetic compatibility	Conformance with EMC directive 89/336/EEC
Emitted interference	EN 55011
Immunity to interference	EN 61000-6-2:2005

Degree of protection	IP20
Housing material	PA V0, color green
Color	green
ATEX	Ex II 3 G Ex nAC IIC T4 X
UL, USA / Canada	cUL 508 Recognized

Certificates / Approvals

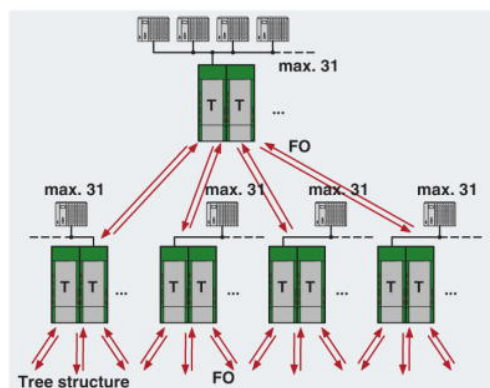
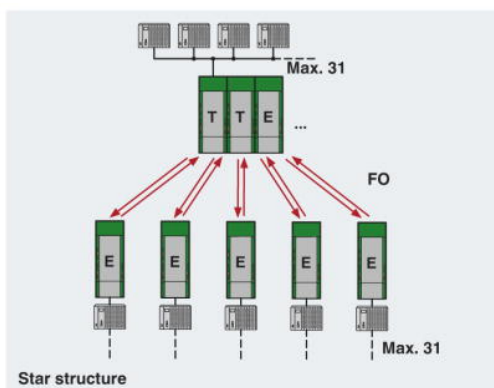
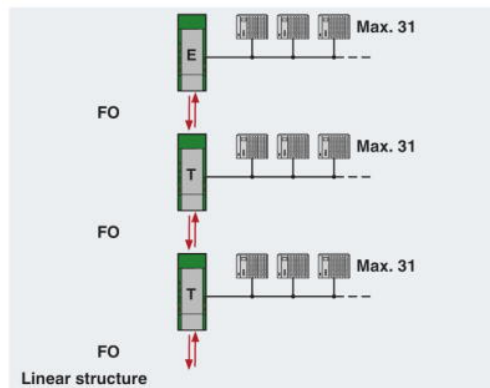
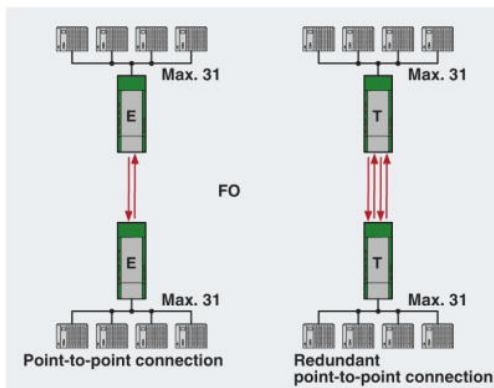


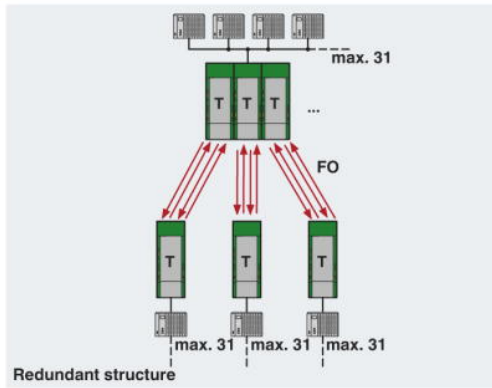
Certification

CUL, UL

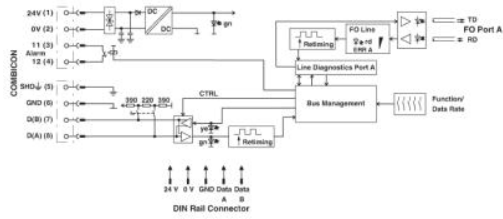
Diagrams/Drawings

Application drawing





Block diagram



Approbationslogos (EX-Bereich)



Address

PHOENIX CONTACT Inc., USA
586 Fulling Mill Road
Middletown, PA 17057, USA
Phone (800) 888-7388
Fax (717) 944-1625
<http://www.phoenixcon.com>



© 2010 Phoenix Contact
Technical modifications reserved;