

## VIP-CAB-FLK20/0,14/1,0M

Order No.: 2318554

The figure shows the 14-pos. product version

<http://eshop.phoenixcontact.de/phoenix/treeViewClick.do?UID=2318554>

Assembled round cable with two molded 20-pos. socket strips (1:1 connection). The cable has a 90° punched on connector and a 180° punched on connector, cable length: 1 m

### Commercial data

EAN	4046356312134
Pack	1 pcs.
Customs tariff	85444290
Weight/Piece	0.1208 KG
Catalog page information	Page 258 (IF-2009)

### Product notes

WEEE/RoHS-compliant since:  
09/20/2007

<http://www.download.phoenixcontact.com>  
Please note that the data given here has been taken from the online catalog. For comprehensive information and data, please refer to the user documentation. The General Terms and Conditions of Use apply to Internet downloads.

### Technical data

#### General

Nominal voltage $U_N$	< 50 V AC
	60 V DC
Max. current carrying capacity per path	1 A
Max. conductor resistance	0.16 $\Omega$ /m

Ambient temperature (operation)	-20 °C ... 50 °C
Ambient temperature (storage/transport)	-20 °C ... 70 °C
Number of positions	20
Number of positions, control side	20
Number of connectors, control side	1
Number of positions, module side	20
Number of connectors, modul side	1
Fixed cable length	1 m
Single wire, cross section	0.14 mm <sup>2</sup>
AWG	26
Conductor construction: Number of litz wires:	7
Single wire, material	Cu tin-plated
External diameter	7.6 mm
Cable, preassembly	Insulation displacement, IEC 60352-4/DIN EN 60352-4
Shielding	no
Width	37.7 mm
Length	40 mm

### Certificates / Approvals

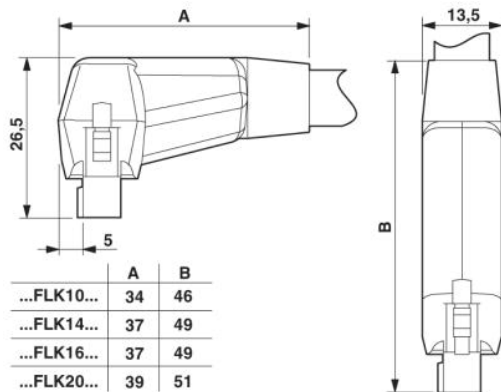


Certification

CUL, UL

### Diagrams/Drawings

Dimensioned drawing



**Address**

PHOENIX CONTACT Inc., USA  
586 Fulling Mill Road  
Middletown, PA 17057, USA  
Phone (800) 888-7388  
Fax (717) 944-1625  
<http://www.phoenixcon.com>



© 2010 Phoenix Contact  
Technical modifications reserved;