

VS-04-MS-2GB-IP67

Order No.: 1405109

<http://eshop.phoenixcontact.de/phoenix/treeViewClick.do?UID=1405109>

USB memory stick, IP67, memory capacity 2 GB, USB 2.0, designed to connect through the panel mounting frame VS-A-F-IP67 on the VARIOSUB-USB socket inserts

Commercial data	
GTIN (EAN)	4046356321815
sales group	D539
Pack	1 pcs.
Customs tariff	85235110
Weight/Piece	0.1043 KG
Catalog page information	Page 310 (PC-2009)

Product notes

WEEE/RoHS-compliant since:
10/10/2007



<http://www.download.phoenixcontact.com>
Please note that the data given here has been taken from the online catalog. For comprehensive information and data, please refer to the user documentation. The General Terms and Conditions of Use apply to Internet downloads.

Technical data**Mechanical characteristics**

Number of positions	4
Ambient temperature (operation)	-15 °C ... 60 °C

Material data

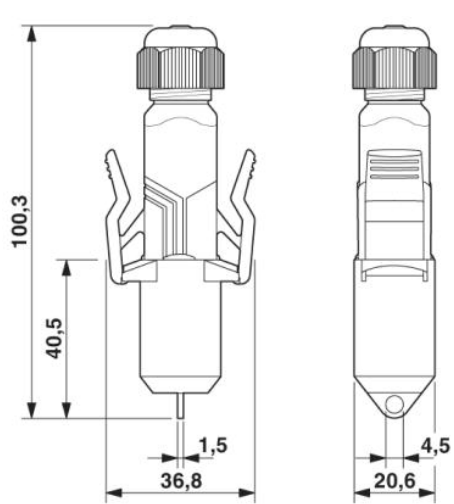
Degree of protection	IP67
----------------------	------

Electrical characteristics

Transmission characteristics (category)	USB 2.0
---	---------

Diagrams/Drawings

Dimensioned drawing



USB memory stick, IP67

Address

PHOENIX CONTACT K.K.
Yusen Shinyokohama 1-chome Bldg. 6F
J-Yokohama 222-0033, Japan
Phone +81/45/471-0030
Fax +81/45/471-0031
<http://www.phoenixcontact.co.jp>



© 2010 Phoenix Contact
Technical modifications reserved;