

TCP 4A

Order No.: 0712259

The illustration shows version TCP 2A



<http://eshop.phoenixcontact.de/phoenix/treeViewClick.do?UID=0712259>

Fuse modular terminal block, Nominal current: 4 A, Nominal voltage: 250 V, Width: 8.2 mm, Fuse type: Slow-blow, Fuse type: Automatic device, Color: black

Commercial data	
EAN	4017918848385
Pack	20 pcs.
Customs tariff	85362010
Weight/Piece	0.01112 KG
Catalog page information	Page 459 (CL-2009)

Product notes

WEEE/RoHS-compliant since:
01/01/2003



<http://www.download.phoenixcontact.com>
Please note that the data given here has been taken from the online catalog. For comprehensive information and data, please refer to the user documentation. The General Terms and Conditions of Use apply to Internet downloads.

Technical data	
General	
Color	black
Insulating material	PA
Inflammability class acc. to UL 94	V0

Dimensions

Width	8.2 mm
Length	24.5 mm
Height NS 35/7,5	55 mm

Technical data

Fuse	Slow-blow
Fuse type	Automatic device
Nominal current I_N	4 A
Nominal voltage U_N	250 V AC 65 V DC
Switching capacity I_{CN}	(6x I_N for nominal currents 0.25 A to 4 A) (8x I_N for nominal currents 6 A to 10 A)
Ambient temperature (operation)	-20 °C ... 60 °C

Certificates / Approvals

Certification

CUL, GOST, UL, VDE-PZI

Accessories

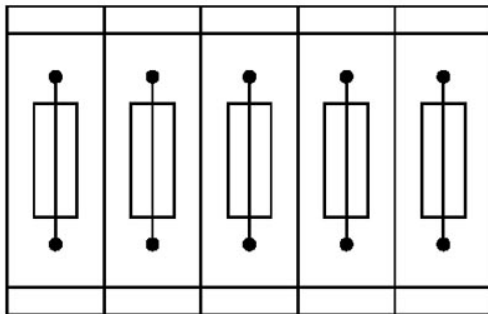
Item	Designation	Description
Marking		
0807180	ZBFM 5/OG:UNBEDRUCKT	Zack marker sheet, flat, unprinted: 120-section, 10 strips à 12 markers, sufficient for 120 terminal blocks, for all terminal blocks, pitch 5.2 mm, labeling with M-PEN or CMS system, color: orange
0803595	ZBFM 5/WH:UNBEDRUCKT	Zack marker sheet, flat, unprinted: 120-section, 10 strips à 12 markers, sufficient for 120 terminal blocks, for all terminal blocks, pitch 5.2 mm, labeling with M-PEN or CMS system, color: white
0803647	ZBFM 5:SO/CMS	Special printing, Zack marker sheet, flat, 120-section, divisible, marking according to customer requirements

Additional products

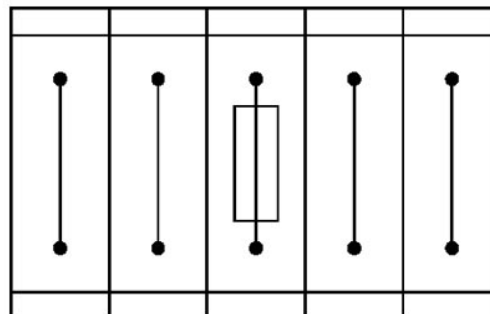
Item	Designation	Description
General		
3036372	ST 4-FSI/C	Fuse terminal block with LED for mounting on NS 35, for miniature circuit breakers, terminal width: 8.2 mm, color: Black
3118203	UK 6-FSI/C	Flat-type fuse terminal block, cross section: 0.2 - 6 mm ² , AWG: 26 - 8, width: 8.2 mm, color: black

Diagrams/Drawings

Application drawing

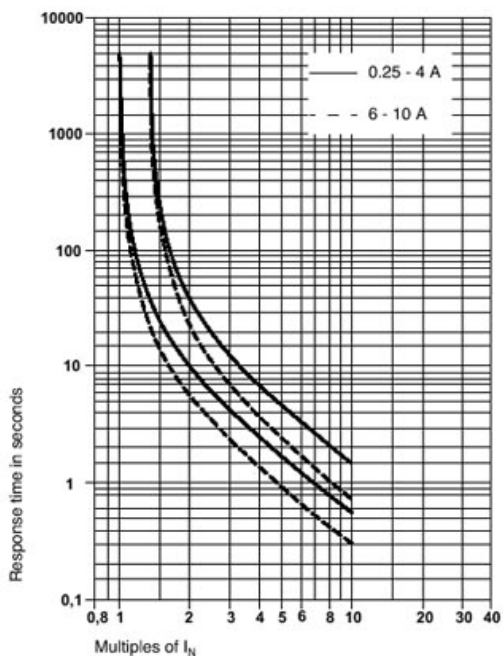


Fuse terminal blocks in interconnected arrangement, block consisting of 5 fuse terminal blocks

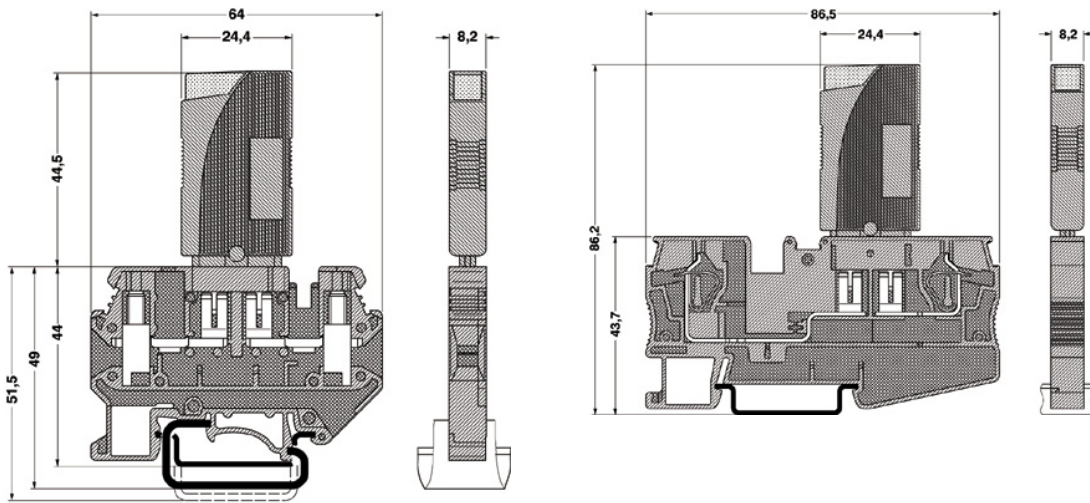


Fuse terminal block in single arrangement, block consisting of one fuse terminal block and 4 feed-through terminal blocks

Diagram



Dimensioned drawing



Address

PHOENIX CONTACT Inc., USA
586 Fulling Mill Road
Middletown, PA 17057, USA
Phone (800) 888-7388
Fax (717) 944-1625
<http://www.phoenixcon.com>



© 2010 Phoenix Contact
Technical modifications reserved;