

## TCP 0,25A

Order No.: 0712123

The illustration shows version TCP 2A



<http://eshop.phoenixcontact.de/phoenix/treeViewClick.do?UID=0712123>

Fuse modular terminal block, Nominal current: 0.25 A, Nominal voltage: 250 V, Width: 8.2 mm, Fuse type: Slow-blow, Fuse type: Automatic device, Color: black

### Commercial data

EAN	4017918848422
Pack	20 pcs.
Customs tariff	85362010
Weight/Piece	0.0111 KG
Catalog page information	Page 459 (CL-2009)

### Product notes

WEEE/RoHS-compliant since:  
01/01/2003



<http://www.download.phoenixcontact.com>  
Please note that the data given here has been taken from the online catalog. For comprehensive information and data, please refer to the user documentation. The General Terms and Conditions of Use apply to Internet downloads.

### Technical data

#### General

Color	black
Insulating material	PA
Inflammability class acc. to UL 94	V0

**Dimensions**

Width	8.2 mm
Length	24.5 mm
Height NS 35/7,5	55 mm

**Technical data**

Fuse	Slow-blow
Fuse type	Automatic device
Nominal current $I_N$	0.25 A
Nominal voltage $U_N$	250 V AC 65 V DC
Switching capacity $I_{CN}$	(6x $I_N$ for nominal currents 0.25 A to 4 A) (8x $I_N$ for nominal currents 6 A to 10 A)
Ambient temperature (operation)	-20 °C ... 60 °C

**Certificates / Approvals**

Certification

CUL, GOST, UL, VDE-PZI

**Accessories**

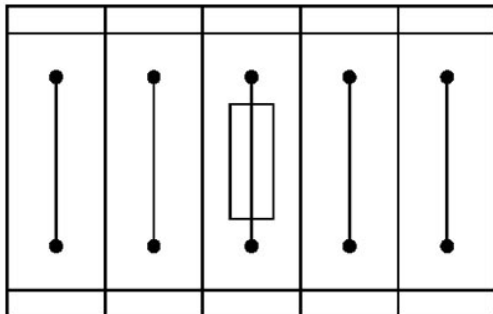
Item	Designation	Description
<b>Marking</b>		
0807180	ZBFM 5/OG:UNBEDRUCKT	Zack marker sheet, flat, unprinted: 120-section, 10 strips à 12 markers, sufficient for 120 terminal blocks, for all terminal blocks, pitch 5.2 mm, labeling with M-PEN or CMS system, color: orange
0803595	ZBFM 5/WH:UNBEDRUCKT	Zack marker sheet, flat, unprinted: 120-section, 10 strips à 12 markers, sufficient for 120 terminal blocks, for all terminal blocks, pitch 5.2 mm, labeling with M-PEN or CMS system, color: white
0803647	ZBFM 5:SO/CMS	Special printing, Zack marker sheet, flat, 120-section, divisible, marking according to customer requirements

**Additional products**

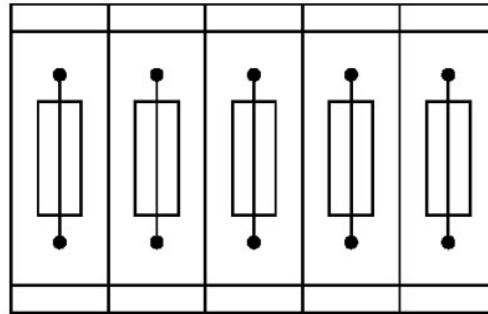
Item	Designation	Description
<b>General</b>		
3036372	ST 4-FSI/C	Fuse terminal block with LED for mounting on NS 35, for miniature circuit breakers, terminal width: 8.2 mm, color: Black
3118203	UK 6-FSI/C	Flat-type fuse terminal block, cross section: 0.2 - 6 mm <sup>2</sup> , AWG: 26 - 8, width: 8.2 mm, color: black

**Diagrams/Drawings**

Application drawing

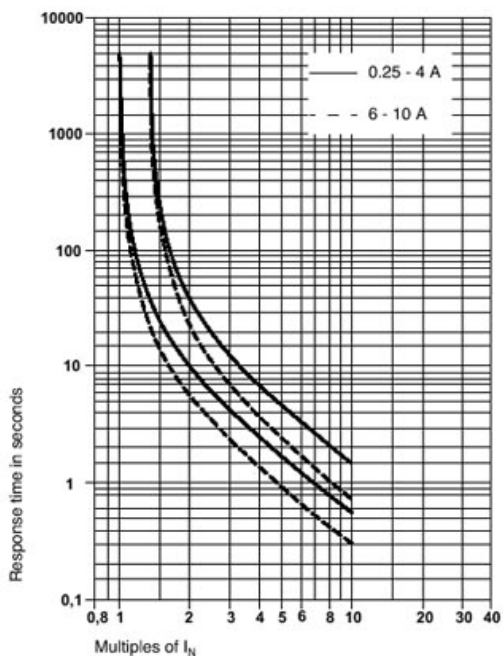


Fuse terminal block in single arrangement, block consisting of one fuse terminal block and 4 feed-through terminal blocks

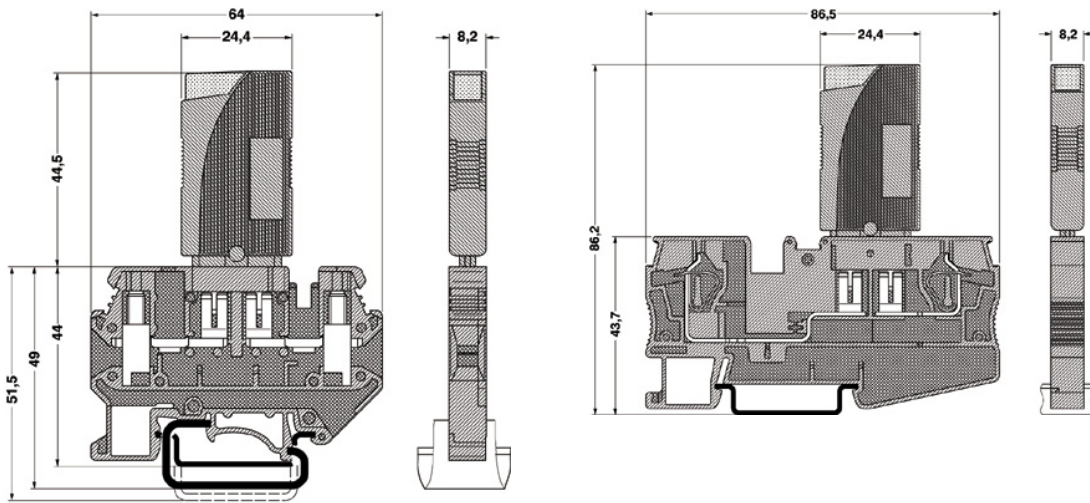


Fuse terminal blocks in interconnected arrangement, block consisting of 5 fuse terminal blocks

Diagram



Dimensioned drawing



TCP 0,25A Order No.: 0712123

<http://eshop.phoenixcontact.de/phoenix/treeViewClick.do?UID=0712123>

---

**Address**

PHOENIX CONTACT Inc., USA  
586 Fulling Mill Road  
Middletown, PA 17057, USA  
Phone (800) 888-7388  
Fax (717) 944-1625  
<http://www.phoenixcon.com>



© 2010 Phoenix Contact  
Technical modifications reserved;